

PD-II

ECR Interface Scale

**First, choose the right ECR for you,
because we have PD-II available for you**

PD-II is equipped with RS-232C port and 4Bit Parallel for most popular ECRs such as SAMSUNG, SANYO, CASIO, SHARP and others Installation is very easy.

PD-II has standard large tray making weighing of large object convenient and accurate. The stainless tray of PD-II makes it sanitary weighing. Also PD-II is constructed low profile to make it easier to place an object on the tray.



Pole Type



PD-II

ECR Interface Scale

Display

One display comes standard and it is possible to install another display on the side.

Also the remote pole type display is available for PD-II as an option.

The display on the side can tilt it self making it easier to read.

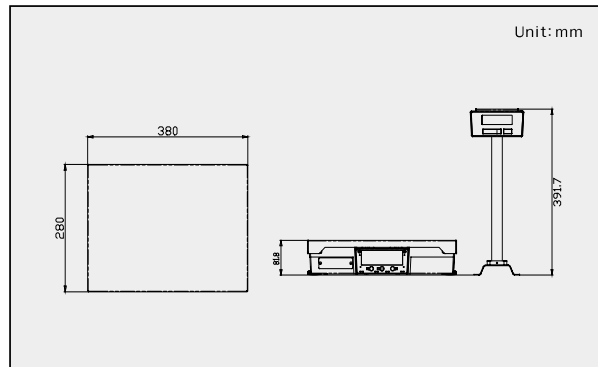
Communication Ports

- RS 232C
- 4 Bit Parallel (ECR interface)

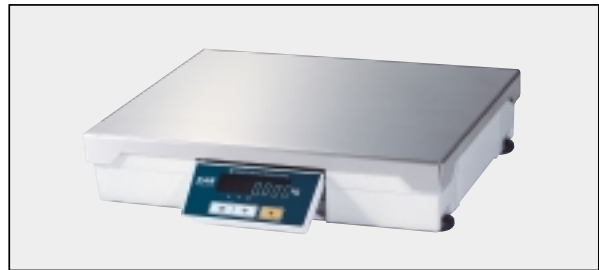
Options

- Dual Display (Side)
- Remote Pole Type Display

Dimensions



Tilttable Display



Specifications

MODEL		PD-II-6 kg	PD-II-15 kg	PD-II-30 kg	PD-II-60 kg
Division	Single Range	2 g	5 g	10 g	20 g
	Dual Range	3kg/1g 6kg/2g	6 kg/ 2g 15kg/ 5g	15kg/5g 30kg/ 10g	30kg/10g 60kg/ 20g
Interval Resolution		1/90,000			
External Resolution		1/ 3,000 Single or Dual			
Display		VFD 6 Digits			
Display Lamps		ST(STABLE), ZERO, NET			
Power Supply		AC 110V / 60Hz, AC 220V / 50Hz			
Platter Size (mm)		380 (W) x 280 (D)			
Product Size (mm)		380 (W) x 280 (D) x 79 (H)			
Product Weight (kg)		6.7kg			
Temperature (°C)		-10 °C ~+ 40 °C			
Interface		RS-232C, 4 Bit Parallel Communication (ECR interface)			



CAS BLDG., # 440-1, SUNGNAE-DONG,
GANGDONG-GU, SEOUL, KOREA

TEL : 82 - 2 - 2225 - 3500

FAX : 82 - 2 - 475 - 4668

<http://www.cas.co.kr>

Specifications are subject to change for improvement without prior notice.